

The pinta BALANCE PLUS ceiling cloud combines the benefits of the pinta BALANCE ceiling cloud with an extremely high absorption coefficient over the complete frequency range and is the perfect solution especially for small ceiling areas which are suitable for acoustic use.

## >> Service

- Call our telephone hotline for advice on your individual situation.

pinta acoustic gmbh  
Otto-Hahn-Straße 7  
82216 Maisach, Germany  
info +49 (0)8141.88 88-0  
fax +49 (0)8141.88 88-555  
[www.pinta-acoustic.de](http://www.pinta-acoustic.de)



**Often only limited areas are available for effective room acoustic measures. The only opportunity to generate optimal reverberation time is then to use broadband absorbers.**

The new pinta BALANCE PLUS has been developed based on the successful pinta BALANCE ceiling cloud. Its construction, low weight and broadband absorption spectrum, together with a wide range of applications, make it ideal for use in small rooms. One particularly interesting point:

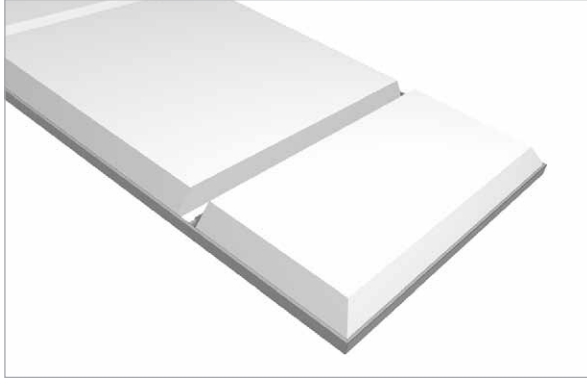
the performance of component-activated ceilings remains virtually unaffected. Its extremely high absorption coefficient over the complete range from 125 – 5000 Hertz produces optimal room acoustics even on small ceiling areas which are suitable for acoustic use.

pinta BALANCE PLUS can also be used with concrete-core activated ceilings.

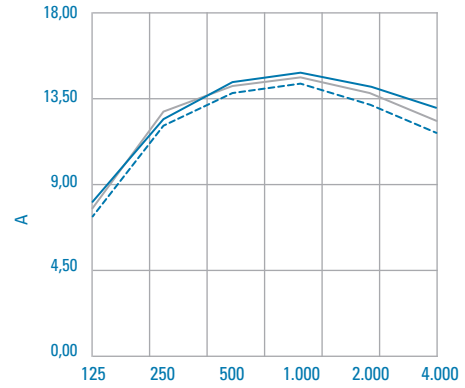


## >> Choose from a range of alternatives:

- pinta BALANCE ceiling cloud
- pinta WHITELINE
- pinta BALANCE COOL ceiling cloud
- pinta ARTWORK acoustic picture
- pinta ACOUSTIC PANEL wall element
- pinta BALANCE ART acoustic picture
- pinta BALANCE DESIGN wall cloud



Equivalent absorption surface A, pinta BALANCE PLUS ceiling cloud, according to DIN EN ISO 354



Format: 2,5 x 1,25 m, thickness 120 mm, 300 mm\*

— A 8,22 12,97 14,12 14,84 14,19 13,28

Format: 2,5 x 1,25 m, thickness 120 mm, 200 mm\*

— A 8,06 13,16 14,01 14,69 13,88 12,28

Format: 2,5 x 1,25 m, thickness 120 mm, 100 mm\*

- - - A 7,56 12,78 13,66 14,25 13,38 11,66

\* distance from element to test floor

### Product advantages

- Up to 3.75 m<sup>2</sup> excluding joint
- Suitable for concrete-core activated ceilings
- Low weight < 4.50 kg/m<sup>2</sup>
- low installation costs
- broadband absorption spectrum
- Light and easy to install, being pre-assembled in the factory
- No tools needed for inspection
- Environment-friendly, being free from synthetic and natural fibers, halogens and CFCs
- Space-saving thanks to exceptional sound absorption from a low material thickness
- Light reflectance > 87 %
- Choice of frame widths, 1.4 or 10 mm

### Colors

The pinta BALANCE ceiling cloud is available in the following colors:



white

Color coating on request.

### BALANCE PLUS product data

Characteristic	DIN	Value
Base material		Melamine resin foam with fleece laminations and all-round aluminum frame
Color		white
Material density*	EN ISO 845	9.5 ± 1.5 kg/m <sup>3</sup>
Fire rating	DIN 4102	B1 (flame-retardant)
Long-term temperature stability		80 °C
Short-term temperature stability		100 °C
Influence on concrete core activated ceilings, ceiling coverage 33 %**	DIN EN 14240	plenum space 100 mm: 30 % 200 mm: 25 % 300 mm: 20 %

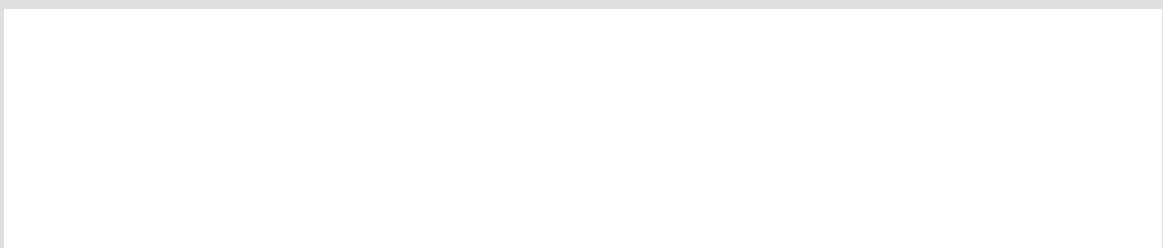
\* Pursuant to EN ISO 845 determined with samples having the following minimum dimensions: 250 x 250 x 250 mm.

### Dimensions

3,000 x 1,250 mm

2,500 x 1,250 mm

Other dimensions on request.



### Installation advice

The pinta BALANCE PLUS ceiling cloud is a high-quality, acoustically effective element. It is bordered by an all-round supporting frame. The ceiling cloud can be suspended by means of conventional substructure materials that are approved by building authorities.

pinta recommends use of the Z-support profiles included with the product. They can be suspended from the rough ceiling using either threaded rods or steel cable. There are two pre-fitted assembly profiles located on the rear of the ceiling cloud. Thanks to these profiles the suspended ceiling cloud can easily be removed for inspection purposes.

We expressly point out that, in case of non-horizontal installation, the pinta BALANCE PLUS ceiling cloud must be secured at the customer's site so that it cannot shift or fall down.

As the pinta ceiling cloud BALANCE PLUS consists of materials with various properties and tolerances, ceiling clouds can display different dimensional tolerances depending on the material. The pinta ceiling cloud BALANCE PLUS is therefore not recommended for a joint-to-joint suspension.

Clean cotton gloves should be worn when installing the pinta BALANCE PLUS ceiling cloud.

A fastening set is required for assembling a ceiling cloud. pinta acoustic offers both a fastening kit with threaded rods as well a steel cable kit.

to fix the ceiling cloud to reinforced concrete ceilings.

### **pinta installation kit with threaded rods made of stainless steel (A2) for BALANCE PLUS ceiling cloud (not included with product)**

The pinta installation kit for the BALANCE PLUS ceiling cloud is suitable as a substructure or means of assembly to fix the ceiling cloud to reinforced concrete ceilings.

The installation kit comprises:

4 internal thread anchors M6

4 threaded rods M6 x 500 mm

8 hexagon nuts M6

8 washers d=6 mm

including packaging

One installation kit is required to install one ceiling cloud.

pinta acoustic expressly points out that the installation kit is only suitable for reinforced concrete ceilings.

### Installation method

1. Measure the holes

2. Drill and set the holes

Drill diameter	8	[mm]
Internal thread	M6	
max. screw-in depth	13	[mm]
min. screw-in depth	8	[mm]
Anchorage depth	40	[mm]

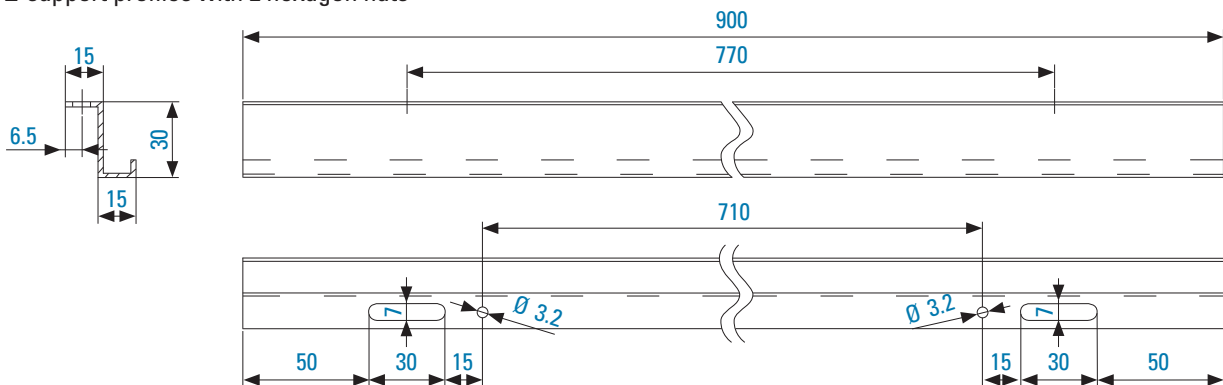
3. Screw in the threaded rods

4. Screw the hexagon nuts onto the threaded rods and adjust or align the suspension height

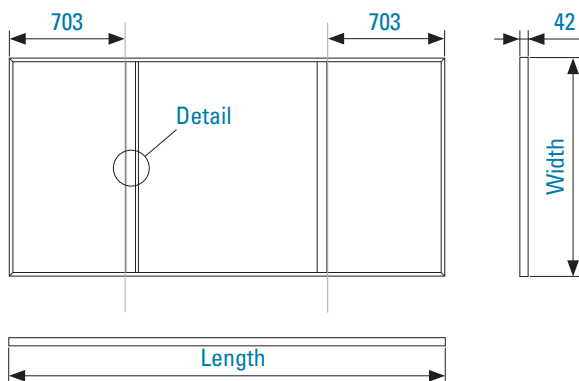
**Suspending the ceiling cloud (standard lengths)**

Fixing the ceiling cloud according to these drawings applies to lengths from 2,250 to 3,000 mm.

5. Fit the washers and Z-support profiles and fix the Z-support profiles with 2 hexagon nuts



6. Suspend the pinta BALANCE PLUS ceiling cloud



Detail: Suspension of Z-profile (2-sided facing outwards)  
Note: All dimensions relate to the outer edge of the cloud.



Detail: Suspension of Z-profile (aligned)

Note: All dimensions relate to the outer edge of the cloud.



**>> FAQs about installation**

Luminaires can be mounted on site in the pinta BALANCE PLUS ceiling cloud. The cutout for the luminaire can be made using a craft knife. When cutting out, make sure the luminaire will not collide with the

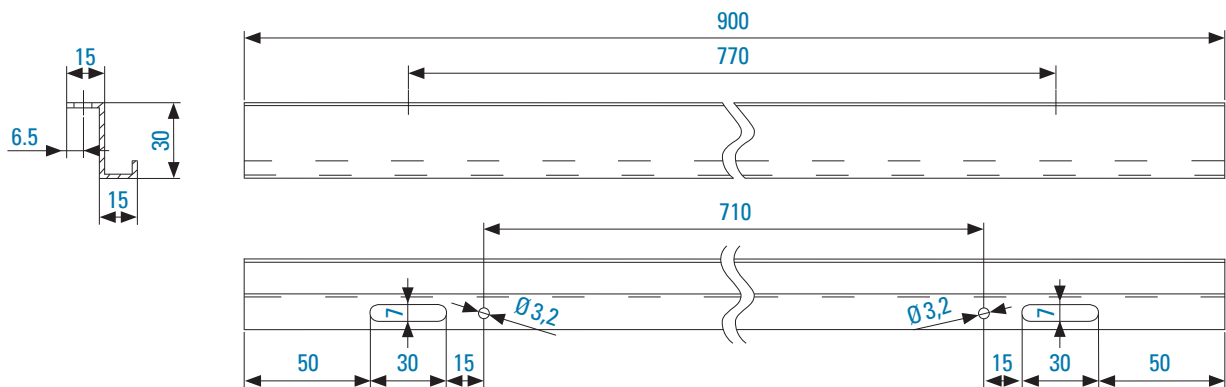
assembly profile mounted on the rear. The luminaire must be suspended from the rough ceiling, because the acoustic element of the ceiling cloud is not designed to bear the weight of the luminaire.



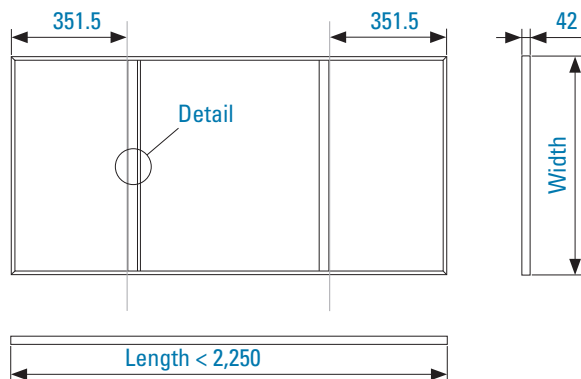
**Suspending the ceiling cloud (length < 2,250 mm)**

Fixing the ceiling cloud according to these drawings applies to non-standard lengths < 2,250 mm.

1. Fit the washers and Z-support profiles and fix the Z-support profiles with 2 hexagon nuts



2. Suspend the pinta BALANCE PLUS ceiling cloud



Detail: Suspension of Z-profile (2-sided facing outwards)  
 Note: All dimensions relate to the outer edge of the cloud.



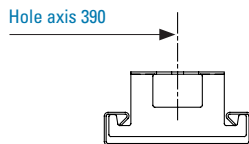
Detail: Suspension of Z-profile (aligned)  
 Note: All dimensions relate to the outer edge of the cloud.



**>> FAQs about the assembly**

This page of the data sheet only applies to pinta ceiling clouds BALANCE PLUS with an element length smaller than 2,250 mm!

Example for measuring drill holes for installation of a BALANCE PLUS ceiling cloud, format 2,250 to 3,000 x 1,250 mm, with steel cable fasteners.



**pinta installation kit with steel cables for ceiling cloud BALANCE PLUS (not included with product)**

The pinta fastening kit with steel cable for the ceiling cloud BALANCE PLUS is suitable as a sub-construction or mounting aid for cloud fixings, irrespective of the dowel (not included in scope of delivery), to all ceilings.

The installation kit with steel cables consists of:

- 4 ceiling fasteners M13x1 with inner diameter 6.5 mm
  - 4 screw caps M13x1
  - 4 steel cables, 1.0 mm, with pressed fitting, tinned end of cable, length 500 mm
  - 4 steel cable fasteners type M5
  - 4 chopper disks M5
  - 4 hexagon bolts M5x8
  - 4 steel cable fasteners L-35/20
- incl. packaging

**Assembly process**

**Suspension using rope fixing**

1. Measure the borings
2. Drill the holes and position the dowel
3. Fix the ceiling mounting
4. Lead the rope through the screw cap and then screw on the screw cap
5. Screw on the wire rope bracket M5 onto the wire rope bracket L-35/20 (secure the screw using lock washers)
6. Insert the wire rope into the wire rope bracket type 15ZW M5 and set height
7. Screw the wire rope bracket L-35/20 into the supporting profile pre-assembled on the back



## Checklist

### Material

- The pinta BALANCE PLUS ceiling cloud consists Of an allround extruded profile frame, an acoustic element with a thickness of 120 mm and 2 Z-support profiles. The visible side of the acoustic element is similar to RAL 9016, light reflectance > 87 %, the back of the element is finished in anthracite. The building material class of the acoustic element is B1 (hardly inflammable) according to DIN 4102.

### Dimensions

- 2,500 x 1,250 mm
- 3,000 x 1,250 mm
- Special dimensions: \_\_\_\_\_ x \_\_\_\_\_ mm (maximum format: 3,000 x 1,250 mm)

### Frame width

- 1.4 mm
- 10 mm

### Frame color

- E6EV1 (natural aluminum)
- RAL 9016 (white)

### Colour Coating

- Colour code \_\_\_\_\_

### Thickness

- 120 mm
- Special thickness: \_\_\_\_\_ mm

### Suspension

- Installation kit with threaded rods made of stainless steel (A2) including:
  - 4 internal thread anchors M6
  - 4 threaded rods M6 x 500 mm
  - 8 hexagon nuts M6
  - 8 washers d=6 mm
  - incl. packaging
- Installation kit with steel cables including:
  - 4 ceiling fasteners M13x1 with inner diameter 6.5 mm
  - 4 screw caps M13x1
  - 4 steel cables, 1.0 mm, with pressed fitting, tinned end of cable, length 500 mm
  - 4 steel cable fasteners type M5
  - 4 chopper disks M5
  - 4 hexagon bolts M5x8
  - 4 steel cable fasteners L-35/20
  - incl. packaging

## >> | Contact /Enquiries

Company stamp:

Quantity:

m<sup>2</sup>

pinta acoustic gmbh  
Otto-Hahn-Straße 7  
82216 Maisach, Germany  
phone +49 (0)8141.88 88-0  
fax +49 (0)8141.88 88-555