

For a sustainable, healthful and durable acoustic solution according to the latest fire protection standards and with excellent sound absorption.

>> **Service**

- Call our telephone hotline for custom advice on your situation.

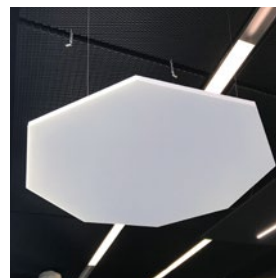
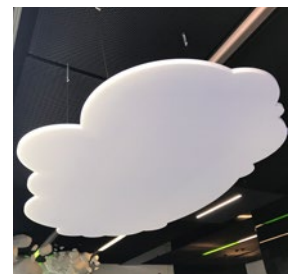
pinta acoustic gmbh
Otto-Hahn-Straße 7
82216 Maisach, Germany
info +49 (0)8141.88 88-0
fax +49 (0)8141.88 88-555
www.pinta-acoustic.de



**Small effort, great acoustical impact –
The pinta FLOAT POLAR ceiling cloud**

The pinta FLOAT POLAR ceiling cloud allows for individually implementing necessary technical specifications with a high degree of freedom with respect to design. Available in two material thicknesses, the frameless ceiling clouds are inherently stable despite their low weight, and easy to revise. In addition to the standard dimensions, variable free-form shapes enable optimal adaptation to all room layouts. Furthermore, technical equipment can be easily integrated.

Introducing POLAR, pinta employs a mono-material sandwich element made from PET, which can be 100% recycled back into the raw material cycle. Toxically uncritical and breathable, it meets the requirements of the Oeko-Tex Standard 100 Class 1.



>> Choose from a range of alternatives:

- pinta BALANCE POLAR ceiling cloud
- pinta ARTWORK POLAR
- pinta LINEAR Absorber POLAR

- pinta PLANO POLAR
- pinta WHITELINE POLAR
- pinta PLUG & PLAY POLAR

**Product advantages**

- _ Maximum size 2,500 mm x 1,250 mm
- _ Available in any dimension up to maximum, without extra charge
- _ Absorber class A / α_w 1.0 (40 mm)
- _ Small weight, max. 9 kg / pc
- _ Only four mounting points
- _ Mounting system: suspension wires
- _ Panel cutout is possible
- _ Packaging remains at cloud until final cleaning
- _ Excellently suitable for use in conjunction with concrete-core cooling
- _ Production of wall-mounted variants available
- _ Oeko-Tex Standard 100 class 1 / free of hazardous substances
- _ Custom color coating available
- _ Corner design with 20 mm radius or 10 mm chamfer

Color coating

The ceiling cloud is available in the following color:

- _ white
- _ color coating similar to RAL or NCS on request

Thickness

20 mm or 40 mm

Fire Protection Requirements

- _ Certified with respect to fire according to EN ISO 13501 – B-s1, d0 up to 20 mm and B-s2, d0 up to 40 mm
- _ Sustainable – LEED and DGNB

The American LEED model, meaning “Leadership in Energy and Environmental Design”, is an internationally approved system of certifications. Since at least the 2000s, this system has been setting standards in development and planning of “Green Buildings” worldwide. This means high-performance buildings with respect to ecology.

By its standards, the system represents awareness, efficiency and healthy usage-related parameters – for commercially as well as privately used buildings. Concerning sustainable cost-efficiency, responsibility for the future, and ecology, the term “Green” has become a valuable part of the image of particularly forward-looking organizations.

The German Seal of Quality in Sustainable Construction (DGNB) is the first wholistic quality rating system with regard to aspects of sustainability in construction engineering. It offers a way of optimizing buildings, already during planning, by ecological, economical, functional and technical criteria.

Due to its clean material composition, pinta POLAR is a valuable contribution to realization of your building. pinta POLAR is free of formaldehyde, it is a mono-material, it is free of chemical additives and it is 100 % recyclable.

Stable color coating of visible sides incl. edges with low-emission coating – pinta pearls – in RAL or NCS colors on request.

Cleaning recommendations according to data sheet: Installation and Maintenance Guidelines Absorber.

>> | Please note

If drilling in ceilings with concrete core-cooling is not possible, the pinta ceiling clouds can be glued to the raw ceiling using the tested

pinta STICK IT mounting system, in combination with fastening set with steel wire ropes.

Product parameters pinta POLAR

PROPERTY	
Base material:	100 % polyester
Material density	40 kg/m ³ ±15 %
Fire rating class EN 13501	European class B according to EN 13501
Material color	white
Maximum width	1,250 mm
Maximum length	3,000 mm
Color coating	possible on an individual basis
Surface	printable on an individual basis
Fire rating according to EN ISO 13501	fulfills class B-s1, d0 (20 mm) B-s2, d0 (40 mm)
Fire rating according to DIN 4102	fulfills class B1: flame-retardant
Long-term heat resistance	70 °C

- _ Certified with respect to fire according to EN ISO 13501 – B-s1, d0 up to 20 mm and B-s2, d0 up to 40 mm
- _ excellent acoustical properties

Durable

- _ Flame-resistant
- _ Long-term heat-resistant up to 70°C
- _ Permanently UV-resistant
- _ Condensate-tolerant
- _ Resistant to infestation by vermin
- _ Resistant to infestation by mold

Individual configuration of color

- _ Individually printable
- _ Surface coatable according to either RAL or NCS

Free of Waste

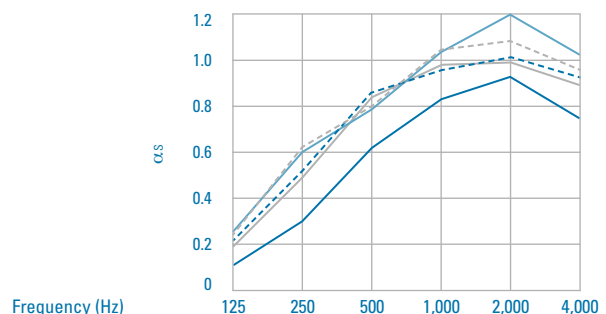
Starting at manufacturing, pinta FLOAT POLAR ceiling clouds are environmentally friendly, i.e., they are manufactured most widely without producing any waste. Any aluminum and absorber sheet waste are collected, sorted, and recycled.

Healthful

- _ Easy to process
- _ Eudermic
- _ Non-allergenic
- _ Low-odor
- _ Non-hazardous
- _ Pleasant handling without itching
- _ Breathable
- _ Permeable
- _ Free of mineral fiber dust
- _ Free of formaldehyde
- _ Oeko-Tex standard 100 class 1
- _ Made from up to 70% recycled synthetic material (for example, from beverage bottles)
- _ mono-material, 100 % recyclable

Acoustical properties: FLOAT POLAR ceiling cloud

Sound absorption coefficient α_s (thickness 20 mm) in octave increments according to DIN EN ISO 354



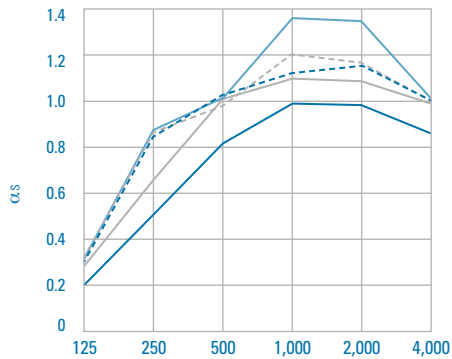
Plenum space	0 mm	100 mm	200 mm	300 mm	500 mm
— A	0.13	0.19	0.22	0.24	0.25
- - - A	0.30	0.46	0.56	0.62	0.60
· · · A	0.62	0.83	0.85	0.80	0.79
- - - - A	0.83	0.96	0.94	1.06	1.07
— A	0.91	0.98	1.02	1.10	1.20
- - - A	0.76	0.88	0.92	0.97	1.02

>> Please note

pinta acoustic is developing products and approaches for custom acoustic solutions.

Acoustical properties: FLOAT POLAR ceiling cloud

Sound absorption coefficient α_s (thickness 40mm) in octave increments according to DIN EN ISO 354



Plenum space	0 mm	100 mm	200 mm	300 mm	500 mm
— A	0.20	0.27	0.29	0.33	0.33
— A	0.47	0.65	0.82	0.84	0.85
— A	0.82	1.01	1.10	0.97	1.02
— A	0.97	1.10	1.12	1.20	1.37
— A	0.95	1.09	1.16	1.17	1.35
— A	0.86	0.99	1.03	1.03	1.08

Installation advice

pinta FLOAT POLAR ceiling cloud

The pinta FLOAT POLAR ceiling cloud consists of frameless acoustic elements with a thickness of 20 mm or 40 mm and mounting profiles attached to the back.

The ceiling cloud can be suspended using conventional substructure materials approved by the building authorities.

pinta recommends suspension by means of pinta fastening kits with steel wire ropes. There are two pre-assembled mounting profiles on the back of the ceiling cloud. With the help of these profiles, the ceiling cloud can be suspended in an easily revisable way.

pinta acoustic expressly points out that, in case of non-horizontal installation, the pinta FLOAT POLAR

ceiling cloud must be secured at the customer's site so that it cannot shift or fall down.

The frameless pinta ceiling cloud FLOAT POLAR is not recommended for a joint-to-joint suspension. Clean cotton gloves should be worn when installing or revising the pinta FLOAT POLAR ceiling cloud.

A fastening set is required for installation of a ceiling cloud. pinta acoustic offers a fastening kit with steel wire ropes. pinta acoustic offers a wire rope attachment kit with alternative lengths 500 mm and 2,000 mm.

As a rule, cutouts in the pinta FLOAT POLAR ceiling cloud should be made at the manufacturer's site. If necessary, on-site cutouts can be made using a jigsaw blade without teeth (e.g., Bosch T113A).

The cut edges must be covered by a frame provided by the customer, and it is imperative that the weight of fixtures be transferred to the raw ceiling.

pinta installation kit with steel wire ropes for ceiling cloud FLOAT POLAR (not included with product)

The pinta fastening kit with wire ropes for the ceiling cloud FLOAT POLAR is suitable both as a substructure and as a means of mounting the cloud to all ceilings depending on the anchor type (not included).

The fixing kit with wire ropes consists of:

- 4 ceiling fasteners M13x1 with bore 6.5 mm
 - 4 screw caps M13x1
 - 4 wire ropes, diameter 1.0 mm, with pressed-on nipple, tinned end, length 500 mm
 - 4 wire fasteners 15 ZW M5
 - 4 toothed lock washers M5
 - 4 hexagon bolts M5x8
 - 4 wire fasteners L-35/20
- incl. packaging

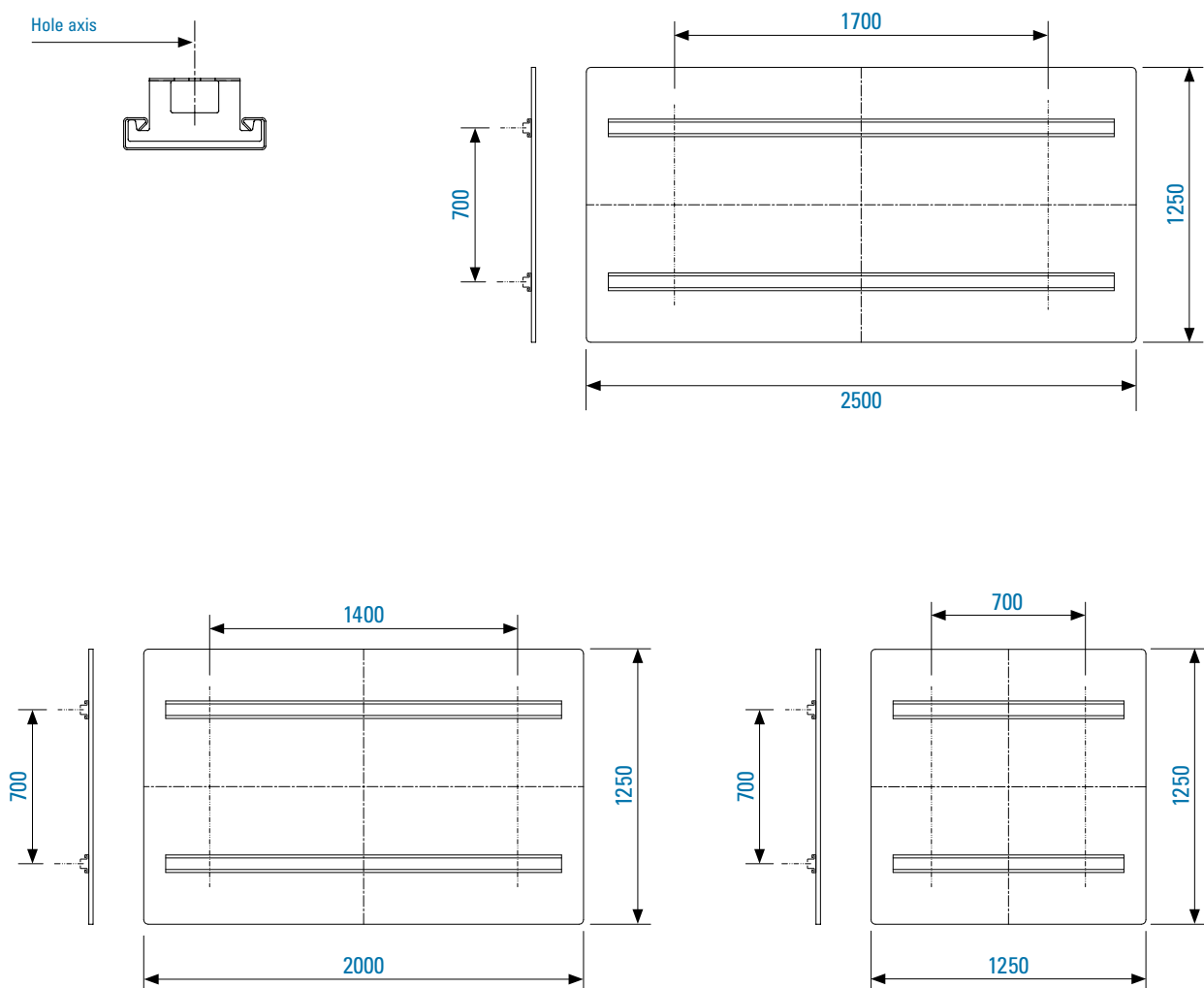
>> Please note

Instead of installation by means of anchors, both pinta installation kits also allow for sticking directly to the concrete ceiling.

pinta STICK IT is tested and accredited. For details, please refer to our STICK IT product data sheet.

Dimensions for measuring drill holes for installation of a
FLOAT POLAR ceiling cloud with wire rope fastener.

Note: All dimensions relate to the outer edge of the cloud
and to the hole axis respectively!

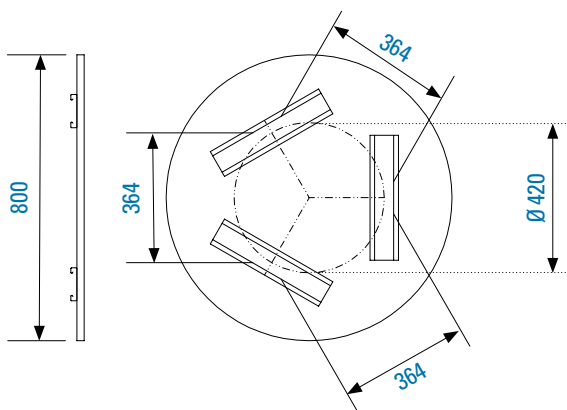
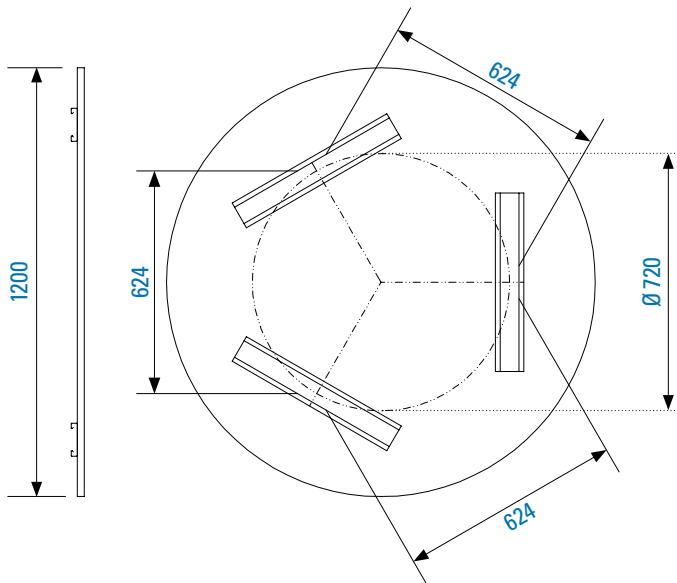


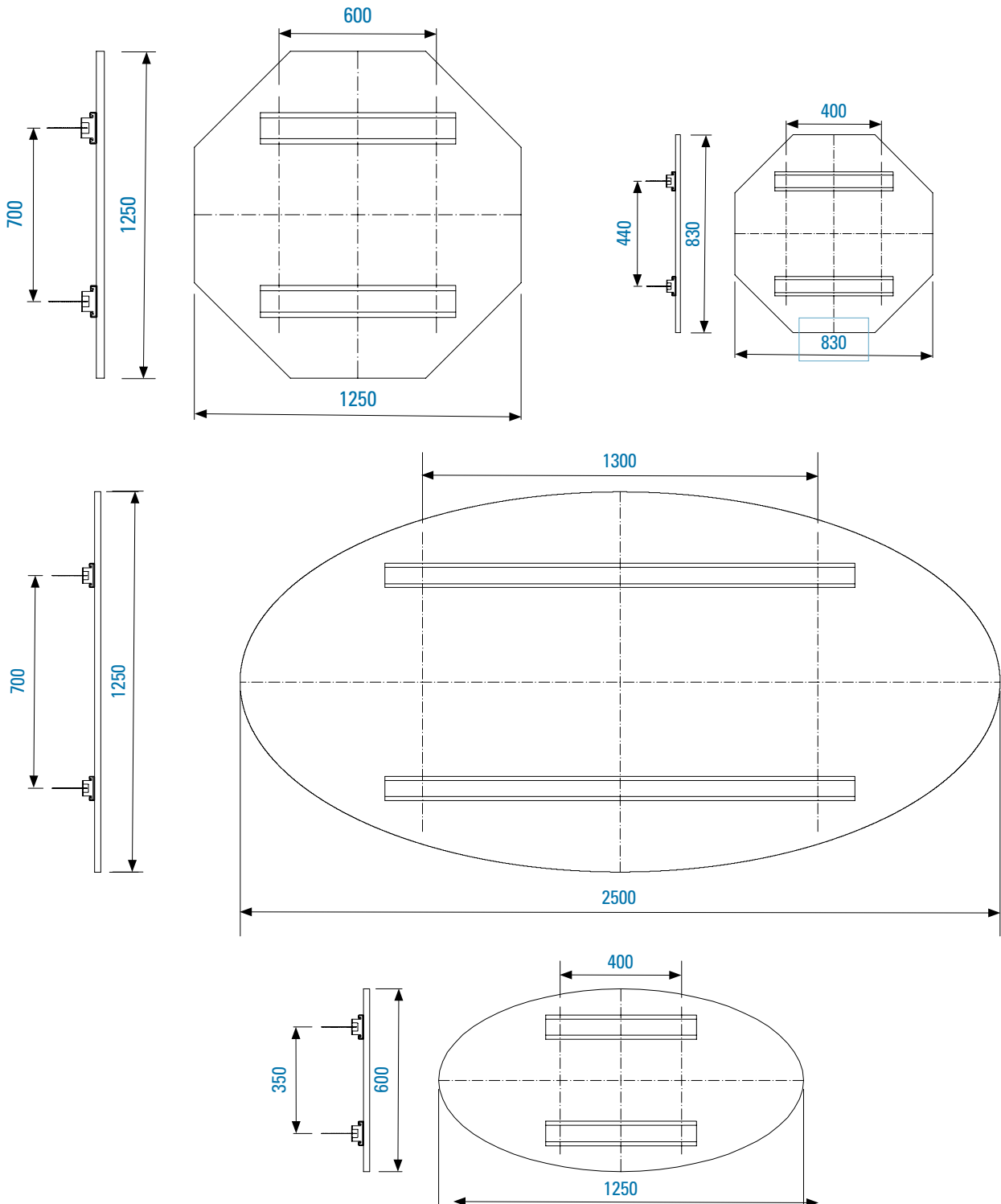
>> | **Note**

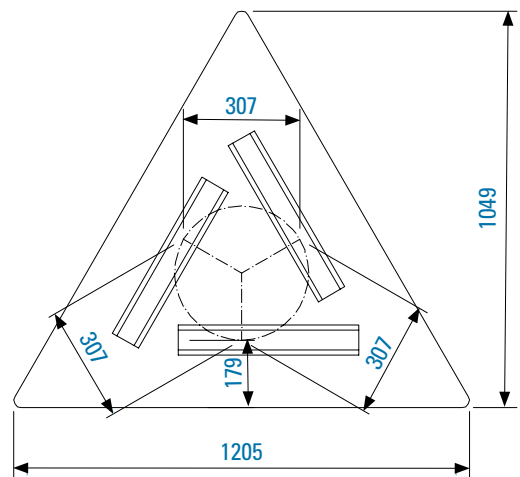
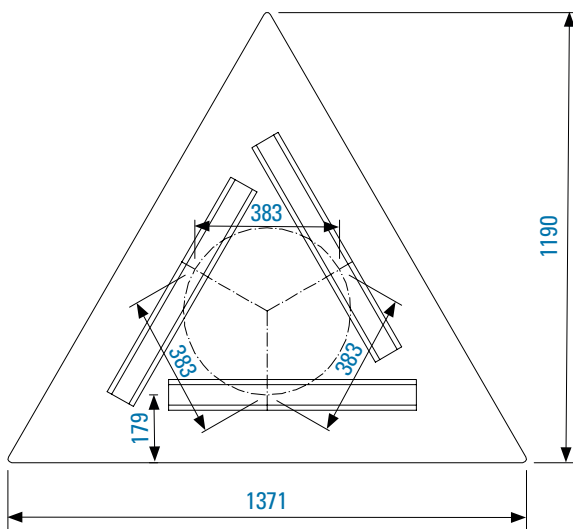
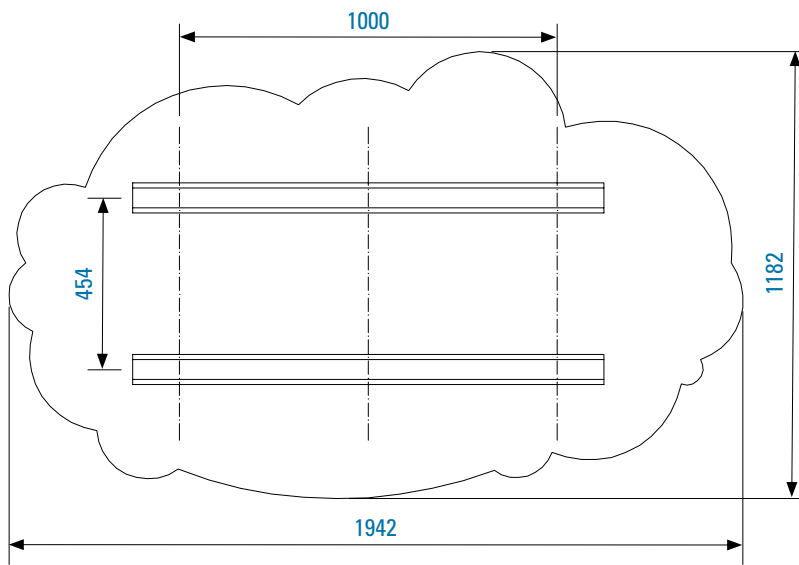
The information about our products is based on our current knowledge and experience. Due to the diversity of applications, the product description is always non-binding and in particular does not represent any

assurance of properties. This also applies to any existing industrial property rights of third parties. We reserve the right to make technical changes without notification.

Care should be taken to ensure that the suspension wires are mounted vertically at three mounting points. It is not recommended to clamp the suspension ropes together at one suspension point, this requires an additional mounting structure.







Checklist

Material

The pinta FLOAT POLAR ceiling cloud consists of a frameless acoustic element with a thickness of 20 mm or 40 mm and 2 pieces of Z-support profiles. The visible side of the acoustic element is white; the mounting profiles are mill-finish aluminum.

Dimensions

- 2,500 x 1,250 mm
- 2,000 x 1,250 mm
- 1,250 x 1,250 mm
- Special dimension: _____ x _____ mm
- Ø 1,200 mm o-shape
- Ø 800 mm o-shape
- 1,200 mm / 1,370 mm triangular shape
- 830 x 830 mm / 1,250 x 1,250 mm octagonal shape
- 1,200 x 600 mm / 2,500 x 1,250 mm ellipsoidal shape
- 1,200 x 1,950 mm cloud-shape

Color coating

- Color designation _____
pinta pearls incl. edge coating

Thickness

- 20 mm
- 40 mm

Corner design

- 20 mm radius
- 10 mm chamfer

Fastening

- Fastening kit with steel wires consisting of:
 - 4 pieces ceiling fastener M13x1 with hole 6.5
 - 4 pieces screw cap M13x1
 - 4 pieces wire rope, diameter 1.0 mm with nipple pressed, rope end tinned, length 500 mm
 - 4 pieces wire rope holder M5
 - 4 pieces toothed lock washer M5
 - 4 pieces hexagon screw M5x8
 - 4 pieces wire rope holder L-35/20incl. packing
- Alternative:
 - 4 pieces wire rope, diameter 1.0 mm with nipple pressed, rope end tinned, length 2,000 mm
- Alternative to installation with anchor:
 - Installation directly to concrete ceiling by means of pinta STICK IT adhesive system

>> | Contact / Inquiry

Company stamp:

Quantity:

pinta acoustic gmbh
Otto-Hahn-Straße 7
82216 Maisach, Germany
phone +49 (0)8141. 88 88-0
fax +49 (0)8141. 88 88-555
e-mail: info@pinta-acoustic.de